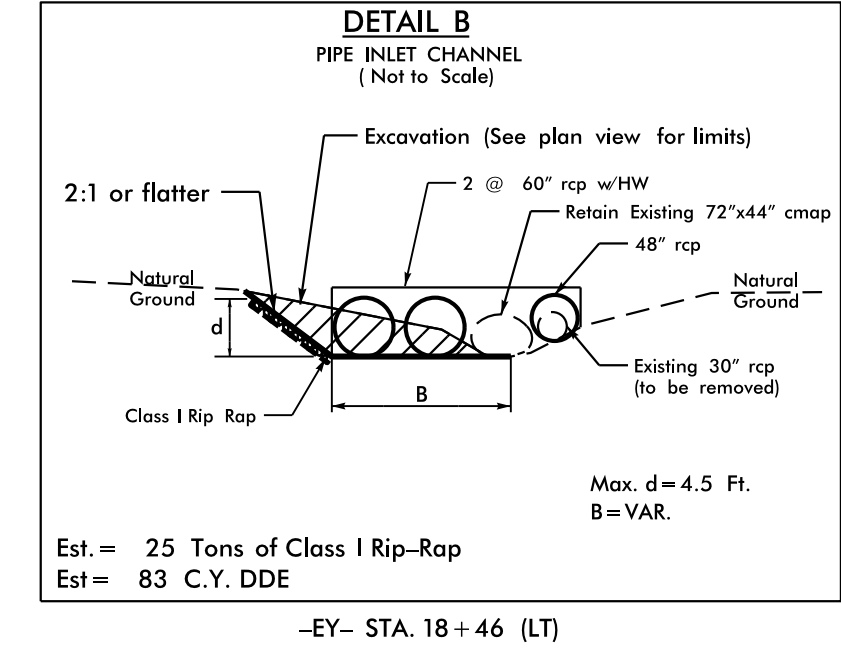
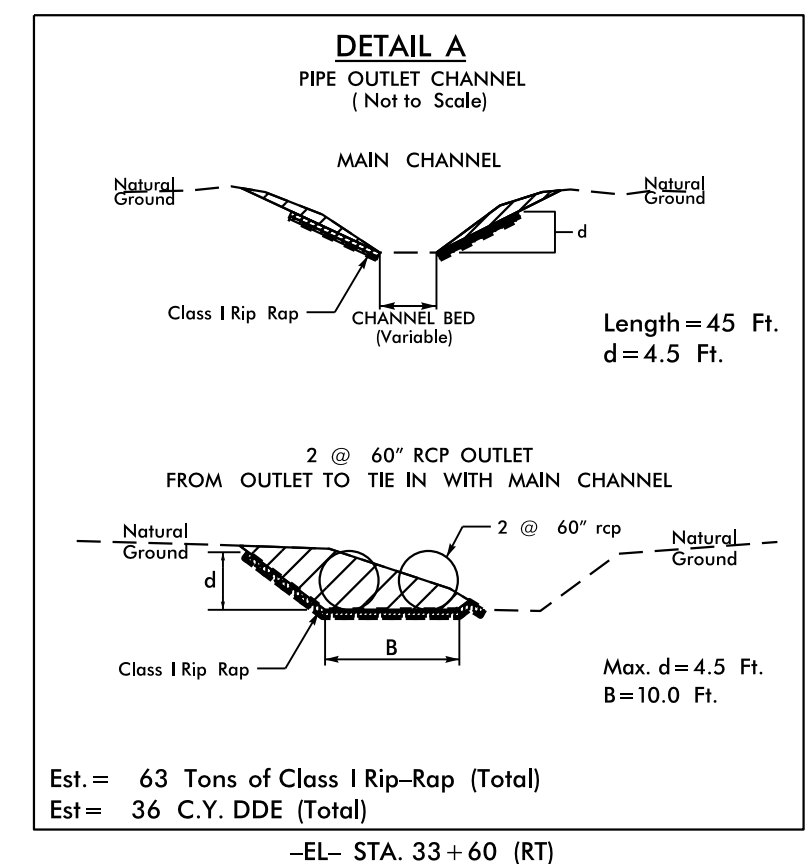


**-EY-**  
 PI Sta 17+81.76  
 $\Delta = 2' 24" 41.9" (LT)$   
 $D = 2' 44" 00.9"$   
 $L = 88.22'$   
 $T = 44.12'$   
 $R = 2,096.00'$

**BEGIN TIP PROJECT U-5508**  
**-EL- POT Sta. 33+00.00**

**END TIP PROJECT U-5508**  
**-EL- POT Sta. 36+00.00**

2016 ADT	37,600
2036 ADT	51,300
SR 1470	10,000
	22,800
NC 24	15,400
	30,800
NC 24	43,700
	54,900
TARAWA BLVD	2,600
	900
	4,900
	1,000
	58,100
	70,000
	8,400
	10,700



REVISIONS

8/17/99

07-MAR-2016 15:20 U-5508\_Rdw-psht04.dgn